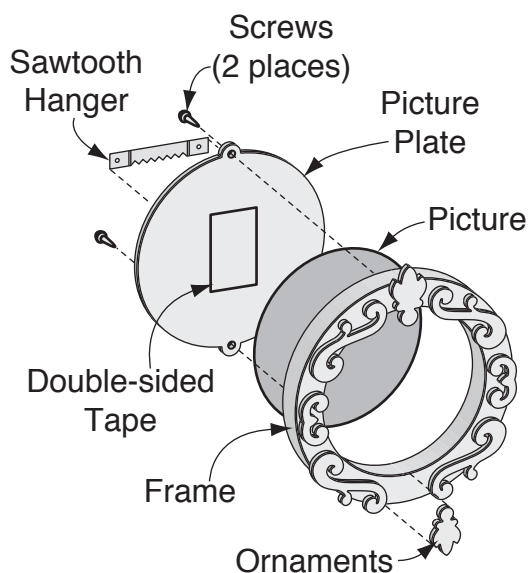


ORNAMENTAL PICTURE FRAMES



Assembled View



Assembly Diagram

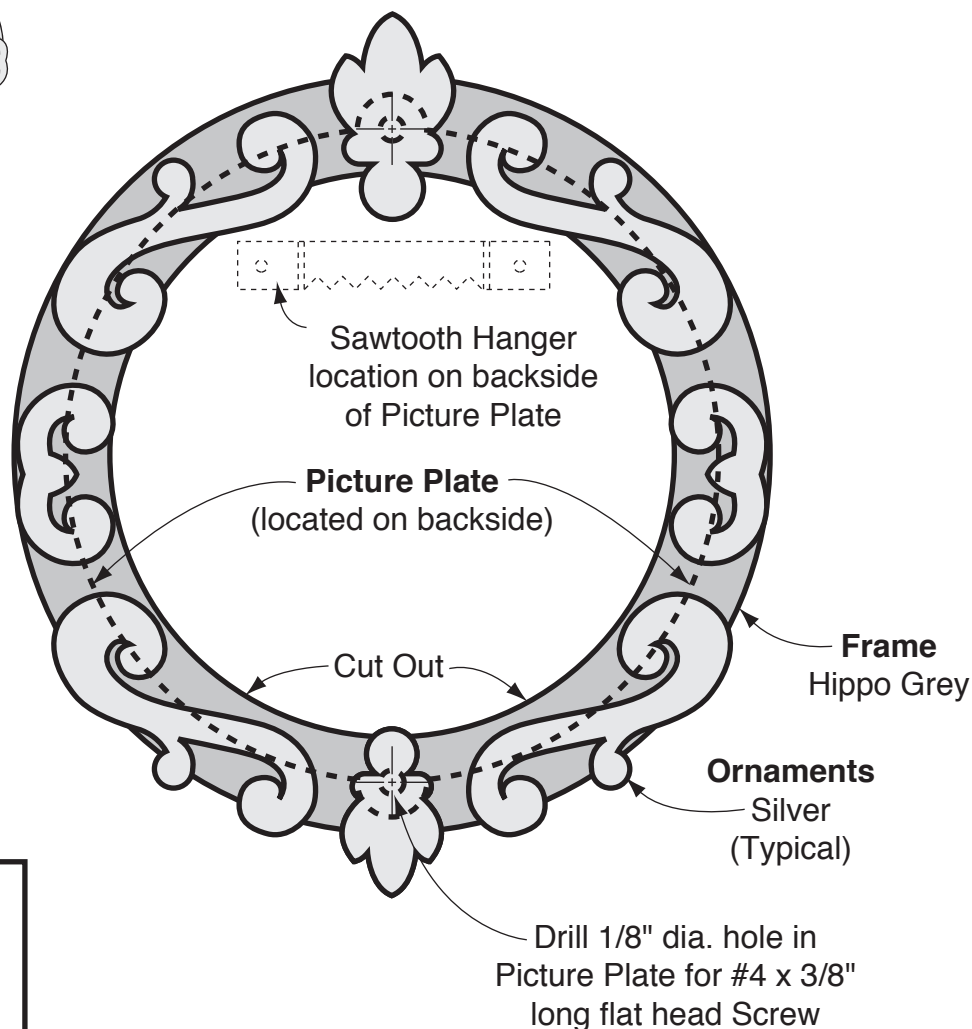
CUTTING: Cover an appropriate size area of wood with Transfer Paper (#CARB). Lay the pattern over the transfer paper and transfer each pieces cut lines onto the appropriate thickness of wood by simply tracing with a pen, pencil or stylus (#STY). Cut Ornaments and Picture Plates from 1/8" thick wood. Cut Frames from 1/2" thick wood. Using a drill, make a starter hole within each inside area to be cut out. Place blade of jigsaw in hole, cut over to line then around entire area to remove wood. Fill voids and defects in wood using wood filler. Sand wood filler (#WF8) and all surfaces to desired smoothness.

PAINTING: Use Delta brand (or equal quality) acrylic craft paint to paint the different areas as noted or colors of your choice.

ASSEMBLY: (See ASSEMBLY DIAGRAM.) Locate and glue (#GLUETB3) Ornaments onto Frames as shown. Adhere Photo onto Picture Plate using a piece of double-sided tape as shown. Attach Picture Plate to backside of Frames using two #4 x 3/8" long screws. Locate and attach Sawtooth Hanger (#SAWH) onto backside of Picture Plate.

FINISHING: For maximum protection coat each piece of your project with at least two coats of our durable project sealer (#POLYQT). Hang on wall using the sawtooth hanger.

() = Available from The Winfield Collection, 1-800-946-3435



Exclusive patterns provided by
The Winfield Collection
 8350 Silver Lake Rd., Linden, MI 48451
 1-800-946-3435
www.thewinfieldcollection.com
 Copyright 2004

Exclusive patterns provided by
The Winfield Collection
8350 Silver Lake Rd.
Linden, MI 48451
1-800-946-3435
www.thewinfieldcollection.com
Copyright 2004

